

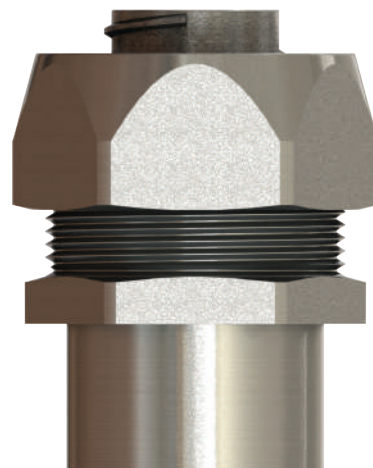
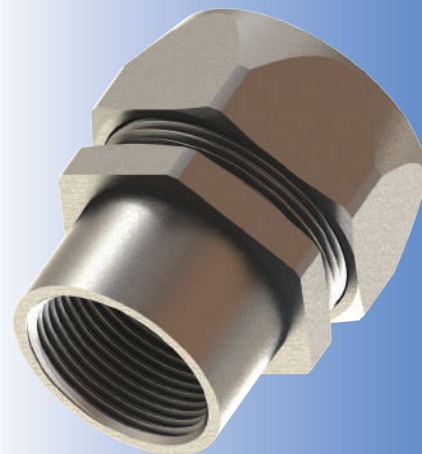
Straight Liquid Tight Conduit Fittings Female, Brass

Straight Liquid Tight Conduit Fittings, Female, Brass

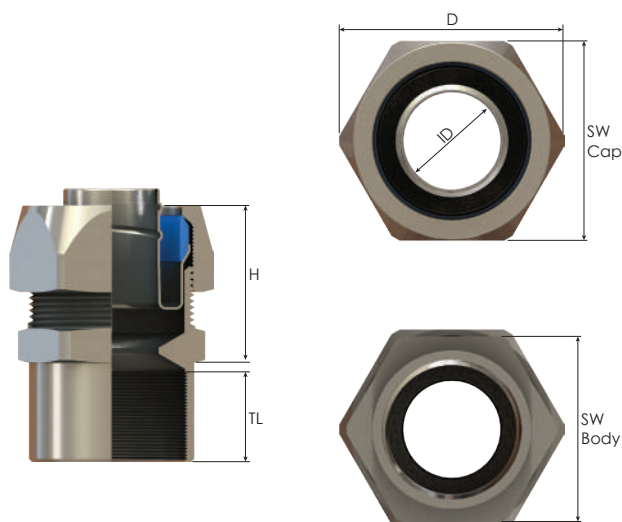
- Fittings for Sealrite conduits.
- For metal machines and housings.
- For standard industrial applications in harsh environments.
- Great corrosion protection.
- Easy assembly.
- High quality strain relief and sealing, reliable performance for standard industrial applications.

Technical Details

Material	Body, Cap	Brass Nickel plated
	Ferrule	Brass Nickel plated or Steel Zinc plated
	Seal Ring	Polyamide 6 V2
	O-Ring	NBR
Ingress Protection Rating		IP 65
		IP 66
Operating Temperature	Permanent	
		-45 °C to +105 °C
Cable Type		Non armoured
Thread Type		• Metric EN 60423
		• PG DIN 40430
		• NPT ANSI B1.20.1



Straight Liquid Tight Conduit Fittings Female, Brass



Thread Type **METRIC** acc. to EN 60423

Outer Thread Size (Female)	For Sealrite Nominal Size	Inner Thread Length	Spanner Width		Outer Ø	Inner Ø	max.Height	Part Number	Minimum Order Quantity
			Cap	Body					
		TL mm	SW Cap mm	SW Body mm	D mm	ID mm	H mm		
M16x1,5	5/16"	11,5	26,0	24,0	29,0	8,3	25,5	BBFM-02(S) F	500
	3/8"	11,5	26,0	24,0	29,0	10,2	26,0	BBFM-02 F	500
M20x1,5	1/2"	13,0	29,0	27,0	32,7	13,5	26,0	BBFM-03 F	400
M25x1,5	3/4"	15,0	35,0	33,0	39,0	18,5	26,5	BBFM-04 F	200
M32x1,5	1"	15,0	45,0	43,0	50,0	23,5	34,0	BBFM-05 F	100
M40x1,5	1 1/4"	16,0	54,0	52,0	60,0	31,8	37,5	BBFM-06 F	60
M50x1,5	1 1/2"	18,0	63,0	60,0	69,3	36,8	41,0	BBFM-07 F	40
M63x1,5	2"	20,0	77,0	74,0	85,0	47,8	48,0	BBFM-08 F	28

Thread Type **PG** acc. to DIN 40430

Outer Thread Size (Female)	For Sealrite Nominal Size	Inner Thread Length	Spanner Width		Outer Ø	Inner Ø	max.Height	Part Number	Minimum Order Quantity
			Cap	Body					
		TL mm	SW Cap mm	SW Body mm	D mm	ID mm	h mm		
PG 11	5/16"	11,5	26,0	24,0	29,0	8,3	25,5	BBFB-03(S) F	500
	3/8"	11,5	26,0	24,0	29,0	10,2	26,0	BBFB-03 F	500
PG 13,5	3/8"	11,5	26,0	24,0	29,0	10,2	26,0	BBFB-04 F	500
PG 16	1/2"	13,0	29,0	27,0	32,7	13,5	26,0	BBFB-05 F	400
PG 21	3/4"	15,0	35,0	33,0	39,0	18,5	26,5	BBFB-06 F	200
PG 29	1"	15,0	45,0	43,0	50,0	23,5	34,0	BBFB-07 F	100
PG 36	1 1/4"	16,0	54,0	52,0	60,0	31,8	38,0	BBFB-08 F	60
PG 42	1 1/2"	18,0	63,0	60,0	69,3	36,8	41,0	BBFB-09 F	40
PG 48	2"	20,0	77,0	74,0	85,0	47,8	48,0	BBFB-10 F	28

Thread Type **NPT** acc. to ANSI B1.20.1

Outer Thread Size (Female)	For Sealrite Nominal Size	Inner Thread Length	Spanner Width		Outer Ø	Inner Ø	max.Height	Part Number	Minimum Order Quantity
			Cap	Body					
		TL mm	SW Cap mm	SW Body mm	D mm	ID mm	h mm		
NPT 1/2	3/8"	13,0	26,0	24,0	29,0	10,2	26,0	BBFN-02(S) F	400
	1/2"	13,0	29,0	27,0	32,7	13,5	26,0	BBFN-02 F	400
NPT 3/4	3/4"	15,0	35,0	33,0	39,0	18,5	26,5	BBFN-03 F	200
NPT 1	1"	15,0	45,0	43,0	50,0	23,5	34,0	BBFN-04 F	100
NPT 1 1/4	1 1/4"	16,0	54,0	52,0	60,0	31,8	37,5	BBFN-05 F	60
NPT 1 1/2	1 1/2"	18,0	63,0	60,0	69,3	36,8	41,0	BBFN-06 F	40
NPT 2	2"	20,0	77,0	74,0	85,0	47,8	48,0	BBFN-07 F	28